


UNIVERSAL FreeFlow Pipes

Go with the Flow



New Zealand manufactured preformed and powdercoated universal aluminium downpipe system, requiring no specialised installation techniques.



Why Choose Universal Freeflow Pipes?

Universal Freeflow Pipes are available as a two piece ergonomically designed downpipe system, are aesthetically pleasing and more importantly, provides improved rainwater flow rates from the spouting system. With reduced numbers of downpipes effectively required for each project, significant construction cost reductions are achievable.

Robust aluminium construction offers greater corrosion and impact resistance over some other downpipe systems

Features

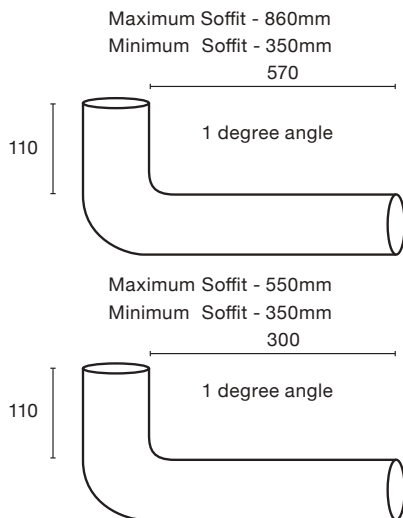
- Supplied as an integral part of a project-specific rainwater system
- Simple and rapid on site installation
- No unnecessary wastage of materials
- Minimal onsite assembly required thereby reducing installation costs
- Ergonomically designed complementing roof and soffit design
- Manufactured from 1.55mm extruded aluminium ensuring greater corrosion and impact resistance
- Available in both round and square profiles
- Five modern and attractive standard powdercoated colours to select from. *Other colours can possibly be supplied subject to availability, specific quotation and extended lead times
- Up to double the water flow through traditional UPVC downpipes, ensuring less downpipes and overall cost reduction
- Can be pressurised in a sealed system situation
- Universal Freeflow Pipes can also be supplied as a one piece system
- As a sealed system, can withstand six times the pressure of UPVC downpipes
- Can be set at 1 degree of fall due to increased water flow
- Adjustable stand off clips to suit variations in cladding materials
- Potable water compatible within health and building regulation guidelines
- Can simply be ordered from a plan to defined architectural practice
- 50 year aluminium and 10 year powdercoating warranty

UNIVERSAL

Freeflow Pipes

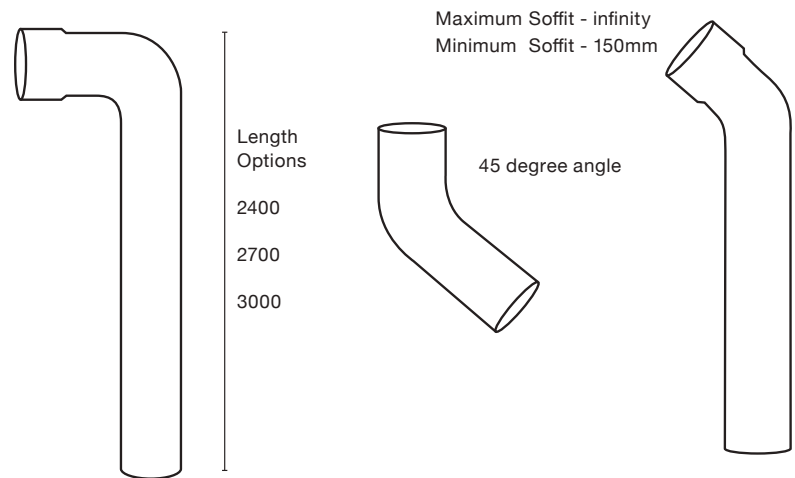
Go with the Flow

Universal Tops



To suit 300mm soffit and greater

Universal Bottoms



To suit 300mm soffit and under

Flow testing

The design of the bends allows for syphonic flow as opposed to turbulent flow of other downpipe systems.

** In base plumbing terms, syphonic flow is 40% faster than turbulent flow.*

Materials

1.7mm Aluminium alloy wall thickness. Surface treated and coated in six standard powdercoated colours to match: Matt Black, Ironsand, Grey Friars, Sandstone Grey, Gull Grey and Titania White.

Sizes available

Universal Freeflow Pipes are normally supplied in 80mm or 110mm diameters. 100mm x 50mm square versions are available subject to lead times. Standard down wall lengths are: 2400mm, 2700mm and 3000mm. For two storey situations straight pipes either 2000mm and 3000mm are available.

Two-Piece universal leg options

Universal Freeflow Pipes are supplied with top legs of 600mm and 900mm to suit specific soffit design. For other soffit variations, contact Roofing Industries.

Accessories

Colour matched and adjustable downpipe stand-off clips are supplied with every Universal Freeflow Pipe.

Handling and storage

On delivery, visually inspect pipes for damage and inform the transport company of any damaged goods. Store downpipes and accessories under cover and on chemically free dunnage clear of the ground. Protect from other construction materials that may cause a reaction against the aluminium material.

Installation

Installation of Universal Freeflow Pipes can be carried out by one person using a portable drill and aluminium compatible fixing screws/rivets. In some projects, such as two storied homes, it is recommended that a two person operation is considered. Prior to installation, please consult the detailed installation instructions on our website www.roof.co.nz.

Sustainability

Excellent recyclable content of the aluminium material supports environmental responsibility.

Warranty

Universal Freeflow Pipes are supported by a 50 year aluminium perforation and separate 10 year powdercoating warranty meeting the statutory requirements of the Building Code. For full product warranty details and maintenance conditions, please contact your local Roofing Industries branch or visit www.roof.co.nz.

DISTRIBUTED BY ROOFING INDUSTRIES:

Auckland	(Head Office) 5 John Glenn Avenue, North Harbour 0751
Whangarei	38 Winger Crescent, Kamo, Whangarei 0112
Pukekohe	212 Manukau Road, Pukekohe, South Auckland 2120
Hamilton	78 Sunshine Avenue, Te Rapa, Hamilton 3241
Tauranga	49 Aerodrome Road Mt. Maunganui 3116
Taupo	1158 Rakaunui Road, Taupo 3351
Palmerston North	653 Tremaine Avenue, Palmerston North 4410
Wellington	2 Cashew Street, Grenada North, Wellington 5028
Christchurch	12 William Lewis Drive, Sockburn, Christchurch 8042
Cromwell	18 Wolter Crescent, Cromwell 9342

Ph: (09) 414 4585	E: auckland@roof.co.nz
Ph: (09) 437 2040	E: northland@roof.co.nz
Ph: (09) 238 0050	E: franklin@roof.co.nz
Ph: (07) 849 5115	E: waikato@roof.co.nz
Ph: (07) 929 7034	E: tauranga@roof.co.nz
Ph: (07) 376 7971	E: taupo@roof.co.nz
Ph: (06) 353 8480	E: central@roof.co.nz
Ph: (04) 238 4390	E: wellington@roof.co.nz
Ph: (03) 339 2324	E: christchurch@roof.co.nz
Ph: (03) 928 6869	E: cromwell@roof.co.nz



www.roof.co.nz